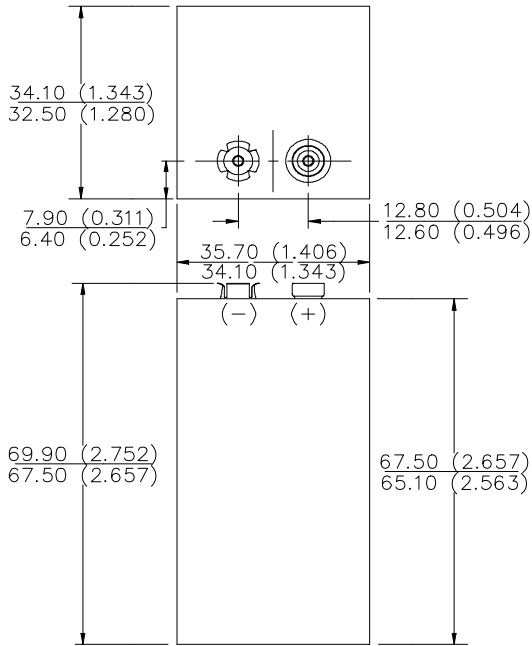


## ENERGIZER NO. 246



Industry Standard Dimensions in mm (inches)



**Chemical System:** Zinc-Manganese Dioxide (Zn/MnO<sub>2</sub>)

**Designation:** ANSI / NEDA-1602, IEC-6F50-2

**Battery Voltage:** 9.0 Volts

**Average Weight:** 88 grams (3.1 oz.)

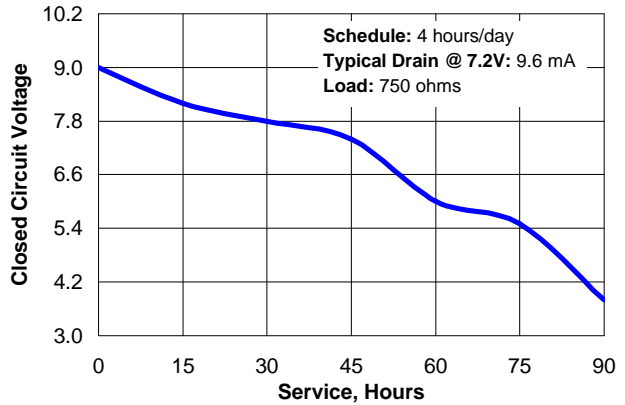
**Volume:** 82 cubic centimeters (5.0 cubic inch)

**Average Capacity:** 850 mAh to 0.8 volts/cell  
 (Rated at 25 mA continuous drain at 21°C)

**Cells:** Twelve No. 117 - Two parallel strings  
 of six in series.

**Jacket:** Paper

**TYPICAL DISCHARGE CURVE**  
 Simulated Test @ 21°C (70°F)



**Simulated Application Test**  
 Estimated Average Service at 21°C (70°F)

Schedule:	Typical Drains at 7.2V (milliamperes)	Load (ohms)	Cutoff Voltage					
			4.2V	4.8V	5.4V	6.0V	6.6V	7.2V
4 hours/day	9.6	750	83.0	82.6	78.8	61.0	54.0	47.0

### Important Notice

This data sheet contains information specific to batteries manufactured at the time of its publication.

**Contents herein do not constitute a warranty.**

Copyright © Eveready Battery Co. Inc. - All Rights Reserved